

Top quality execution and materials

The steam chamber housing in stainless steel execution is resistant against chemicals, usually used in the printing industry. Any possible steam leak losses are minimized by the web entry- and exitsluices. The robust and most durable designed loop building device is computer controlled and allows unvaryingly aligned loop lengths from 500 up to 1800 mm.

The Modus steamer has a low steam consumption, ensuring a water drop free operation. Simple handling, low noise level and easy maintenance are additional important advantages of the Loop Steamer Modus Midi.



Inside view

Functionality

A measuring device for pre-defined oxygen content is incorporated in the system. Hot air polymerizing modus functionality thanks to the Air Recirculation system. AC-Drives for exhaust and circulation units. Speed variable AC-Drives for the fabric conveying system.

Application examples

Fibres	Dyestuff	Steaming Modus	Temperature	Treatment Time
Cottonviscose	Reactive Vat- Judanthene	Saturated	102°C - 104°C	10 - 12 min.
	Pigment	Hot Air	160°C	5 - 6 min.
Nylon	Acid	Saturated	102°C - 103°C	20 - 30 min.
Polyester	Disperse	Superheated	170°C	10 - 12 min.
Silk / Wool	Acid	Saturated	102°C - 104°C	15 - 30 min.



FIRST IN QUALITY & FIRST IN SERVICE

PIONEERING INNOVATIONS FOR MORE THAN 135 YEARS



J. Zimmer Maschinenbau GmbH
Screen & Coating Systems

Ebentalerstrasse 133
9020 Klagenfurt
Austria

phone +43 (463) 38 48
e-mail sales@zimmer-austria.com



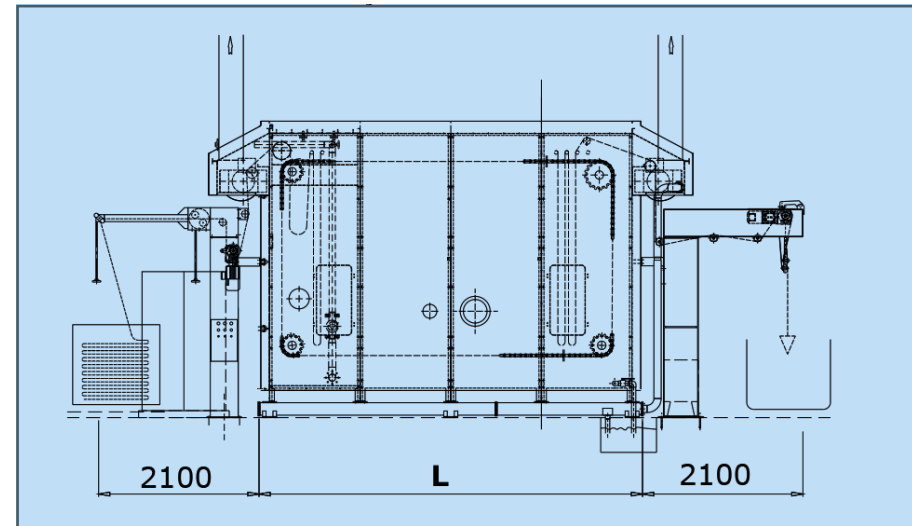
**Loop Steamer
Modus Midi**



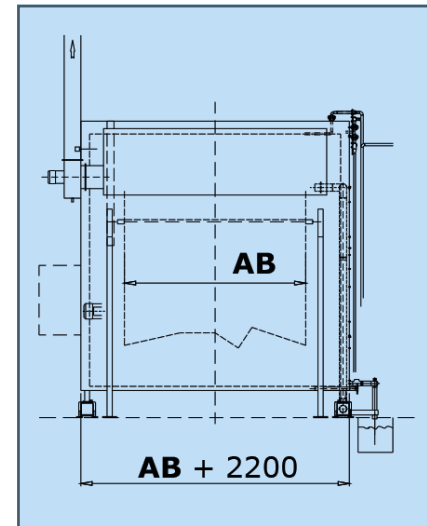
MADE IN AUSTRIA

The new Loop Steamer for your digital textile prints, developed by Zimmer Austria.

This steamer for digital printed textiles has been designed to facilitate the fixation of dyes in a continuous process onto any fabric printed by any type of inkjet printing machine. This Loop Steamer Modus Midi enables to obtain excellent quality of finishing results in brilliant colors while saving a lot of energy.



Modus - side view



Modus - front view

Working Width (AB)	mm	2000, 2600, 3000, 3400	
Fixation Time	min	5 - 40	
Loop Length	mm	500 - 1800	
Superheating Capacity	kW	ca. 140 kW per zone	
Numbers Of Zones		1	1
Textile Capacity	m	60	80
Length (L)	mm	4200	5500
Max. Mechanical Speed	m / min	25	25
Average Steam Consumption	kg / h	200 - 400	200 - 400
Electrical Installation	kW	14	14

With the new Loop Steamer MODUS MIDI by Zimmer Austria, your digital textile prints are being aftertreated even more professionally.

Enhanced colour yield improves digital textile prints of all type of fibres and weights for excellent finishing results and brilliant colours. Exactly reproducible temperature and humidity values are helping to save energy.

The Loop Steamer Modus Midi renders the following applications:

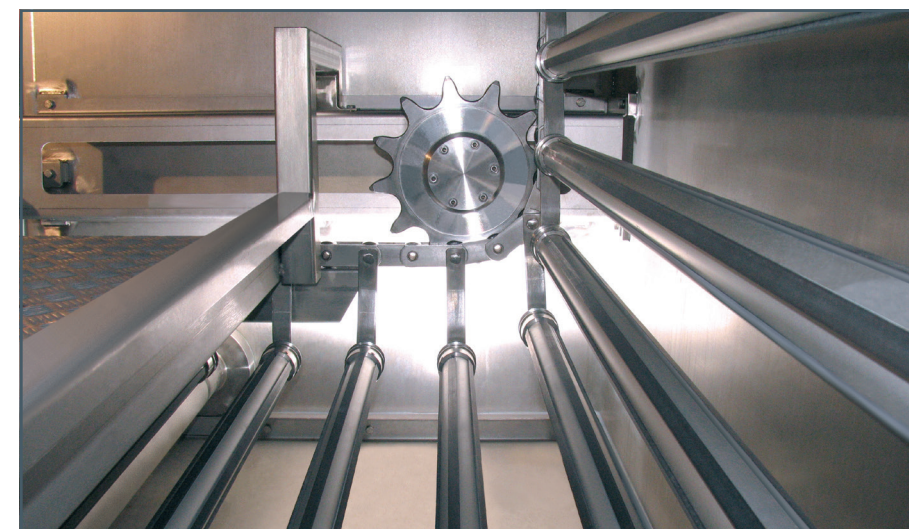
- Saturated steam modus (102°C to 105°C)
- Superheated steam modus (160°C to 180°C)
- Hot air polymerizing modus (160°C to 180°C)



Tensionless loop formation device

The Loop formation device

is computer controlled, for automatic loop length adjustment from 500 mm to 1800 mm.



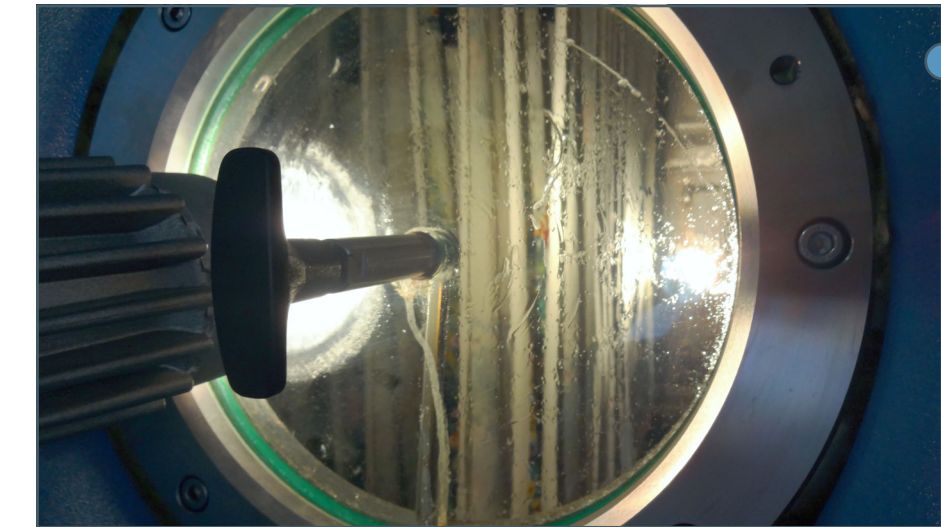
Loop transportation rods

Loop transportation rods

are either in stainless steel execution or with special surfaces.

Simplified operation

A wide range of woven and knitted textile fibres in various weights may be processed. The excellent yield of colors tremendously improves the quality of textile prints. An increased performance is being achieved even for the production with critical dyestuffs and substrates. This universally usable machine guarantees exactly reproducible temperature and humidity values as well as absolutely tensionless web guiding.



Inside view

Inside view

The water for the steam saturation is being conducted by an injection system. For the superheating modus the steaming machine is equipped with an efficient re-circulation system and heat exchanges, using either thermofluid or gas fire system.



Central automation PLC-unit

Central automation PLC

The daily use is simplified thanks to the computerized control system. Functionality sequences may be controlled continuously on the illuminated touchscreen panel, even during the production cycle. Any possible deviation of data is being detected immediately and corrected accordingly.