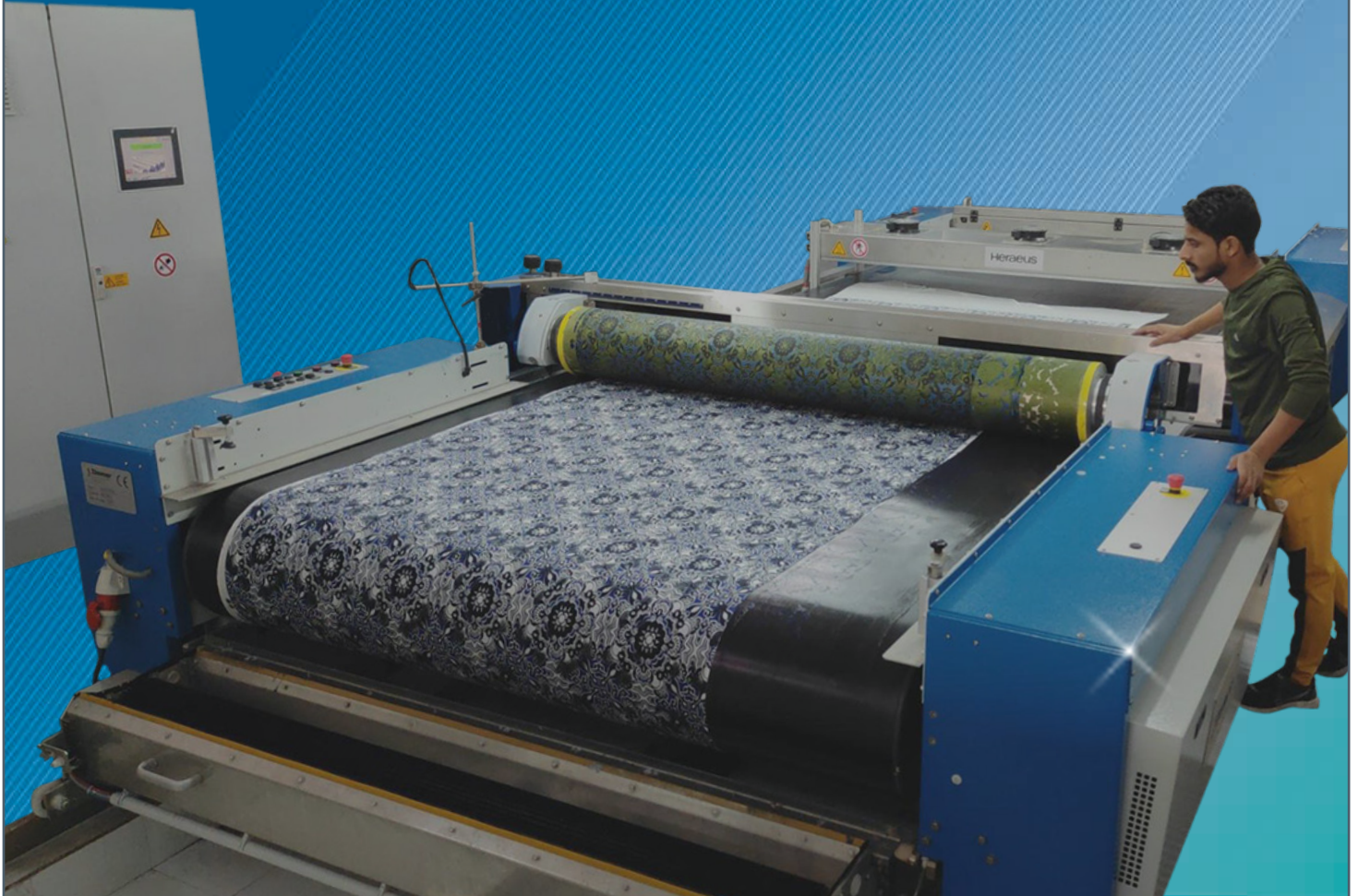


PIONEERING INNOVATIONS
FOR 150 YEARS

ZIMMER AUSTRIA | SCREEN & COATING SYSTEMS

Zimmer
AUSTRIA



THE COMPACT

MOST COMPARABLE

HIGHLY EFFICIENT

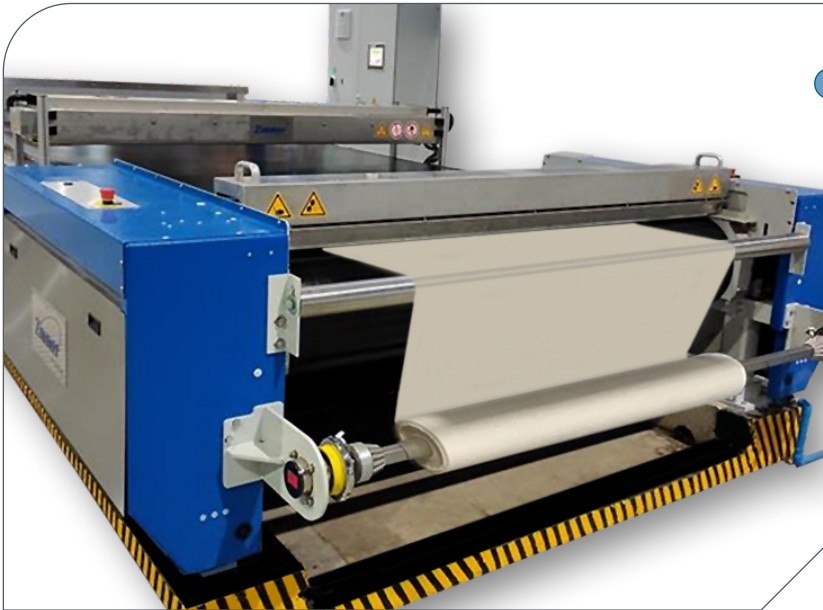
SAMPLE PRODUCTION

ROTASCREEN.MIDI-II

| SAMPLING & LABORATORY SYSTEM



www.zimmer-austria.com



1 | MIDI-II UNBATCHING DEVICE

With infrared heater



4 | MIDI-II WASHING DEVICE

High quality rotating brush, drying squeegee and pneumatic lifting device.

1 |

2 |

3 |

4 |

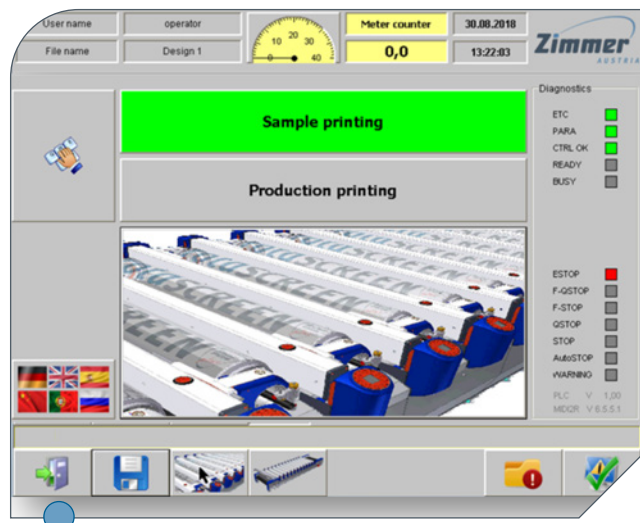


THE MIDI-II-F FLAT SCREEN PRINTING SYSTEM

is the most versatile flat screen sample printing machine on the market, suitable for all kinds of textile fabrics. The repeat length, the speed and the number of squeegee strokes as well as the magnetic power are individually adjustable on each printing station. Very fast set-up of screens and roll rod are minimizing the sample production time. Available printing widths are 165, 185, 225, 245, 285, 320 cm. Effective printing lengths are 10, 12.5, 15, 17, 19.5, 22, 24.5, 27, 29 meters.



The **Original Zimmer Magnet System Plus** is the most efficient system for magnetic roll rod printing in warp direction. According to the requirements of the textile product, the magnet bars are available as standard magnet bars **MB 38/40**, or optionally with stronger magnet power **SMP 70/55** (e. q. for towel printing).



2 | Magnetic single roll rod

can be chosen in various different diameters from 6 to 50 mms. Repeat adjustment may vary from 60 to 350 cms. The magnet bar carriage is equipped with an individual servo drive with stepless speed adjustment.

Touch screen panel (switch cabinet) or pre selection of repeat sizes yardage, glueing, printing and washing processes.

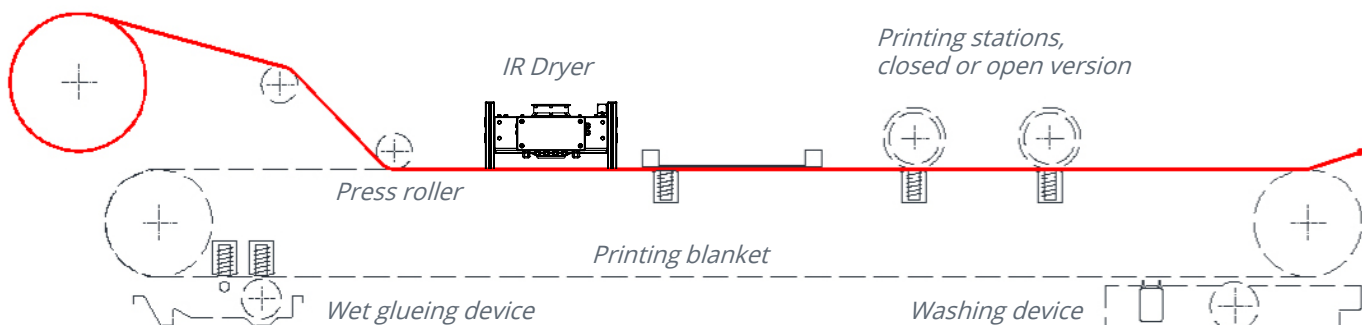
1 |

Unbatching device

2 |

3 |

4 |



THE MIDI-II-R ROTARY SCREEN PRINTING SYSTEM

The Midi-II-R sample printing machine can optionally be equipped with different printing heads which are usually the same as your Rotascreen production machine.

Available printing widths are 165, 185, 225, 245, 285, 320 cm.

Effective printing lengths are 10, 12.5, 15, 17, 19.5, 22, 24.5, 27, 29 meters.



3 | Closed bearing printing head type G with individual width adjustment of both printing heads and automatic pre-repeat adjustment.

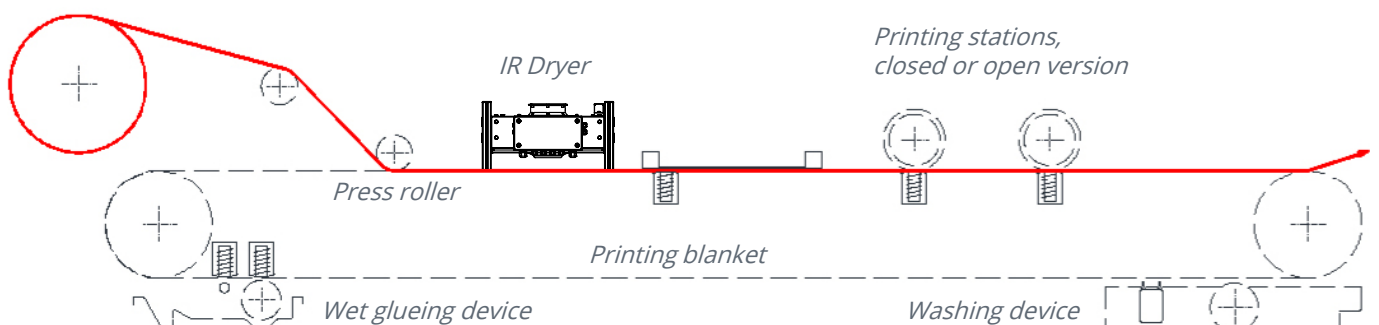
1 | 1 |

Unbatching device

2 |

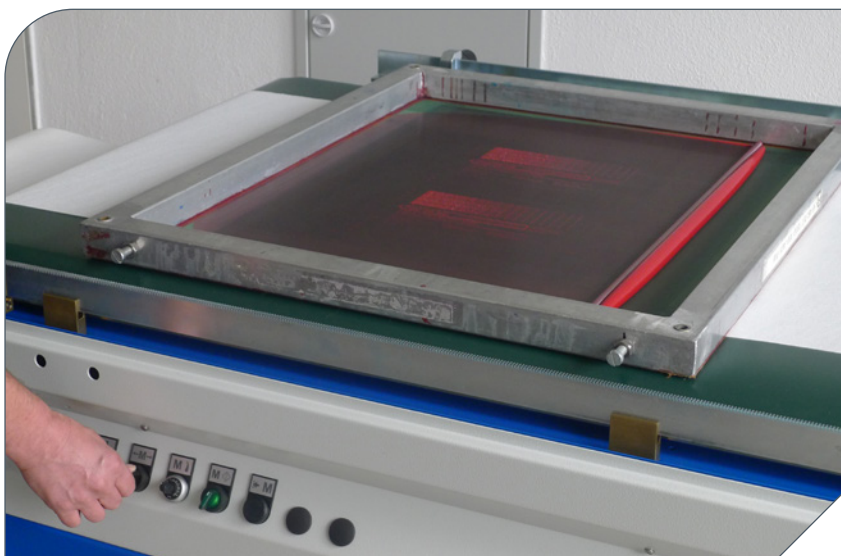
3 |

4 |

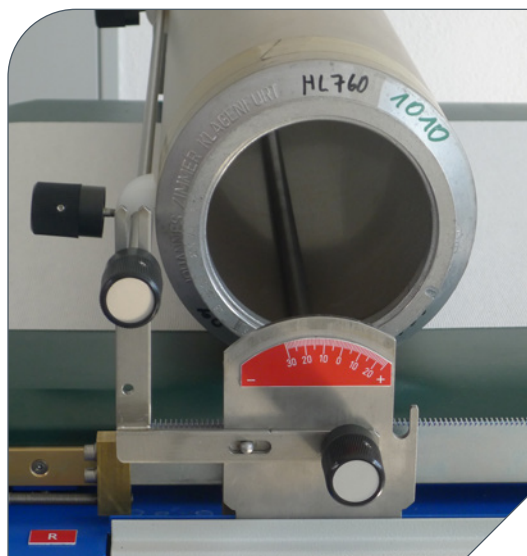


MINI-MD SAMPLE STRIKE OFF MACHINE

For the perfect printing sample prior to the printing production process you may opt for the Mini-MD sample strike off machine for flat screen and / or rotary screen printing.



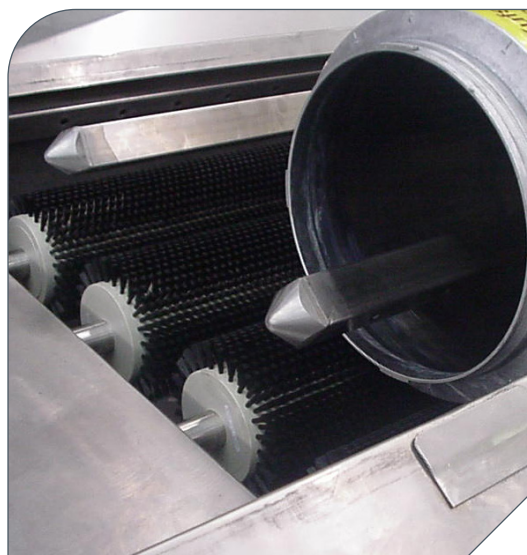
Mini-MD-F flatscreen sample printing machine



Printing head fine adjustment



Mini-MD-R rotary screen sample printing machine



Screen washing machine

Mini-MD strike off-machine is available in size 60 x 70 cms or 60 x 128 cms. It may be used for the development and verification of paste viscosities, colour concentration and magnet power adjustments. Rotary screen and squeegee device washing machines are available for either one, two, three or four screens at a time and up to six squeegees.

FROM IDEA TO INNOVATION

Accelerating our client's success is at the heart of our DNA. At our **TECHNOLOGY.APPLICATION CENTRE** in Klagenfurt (Austria) we provide you with comprehensive support and advice from the initial idea right up to your production print- or coating line as well as the development of new applications.

Run trials or even small-scale productions to consequently improve your products or even develop new innovative solutions. Our experts will advise you which solution fits best to your needs.

TECHNOLOGY.APPLICATION CENTRE KLAGENFURT: R&D | Sampling | Workshops & Training | Convention



Overview of the technology centre in Klagenfurt (Austria)



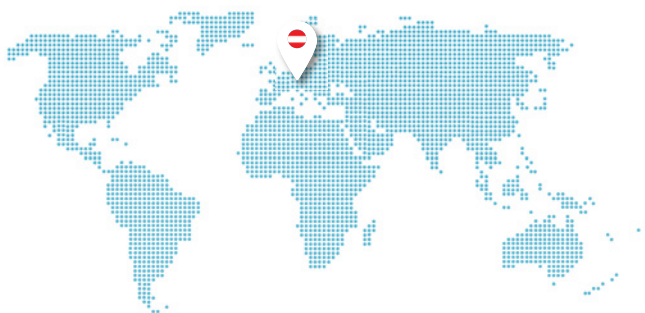


ROTASCREEN SPECIFICATIONS	MIDI-II-F	MIDI-II-R
Working width	165 - 320 cm	165 - 320 cm
Number of printing stations	1	1 - 2
Repeat size adjustment	customized	from 64 to 102 cm
Print head	Magnoprint	Rota-TG
Printing speed	customized	4 - 40 m/min
Control system	ACR-5	



FIRST IN QUALITY & FIRST IN SERVICE

PIONEERING INNOVATIONS FOR 150 YEARS



J. Zimmer Maschinenbau GmbH
Screen & Coating Systems

Ebentalerstrasse 133
9020 Klagenfurt
Austria

phone +43 (463) 38 48
e-mail sales@zimmer-austria.com
web www.zimmer-klagenfurt.com